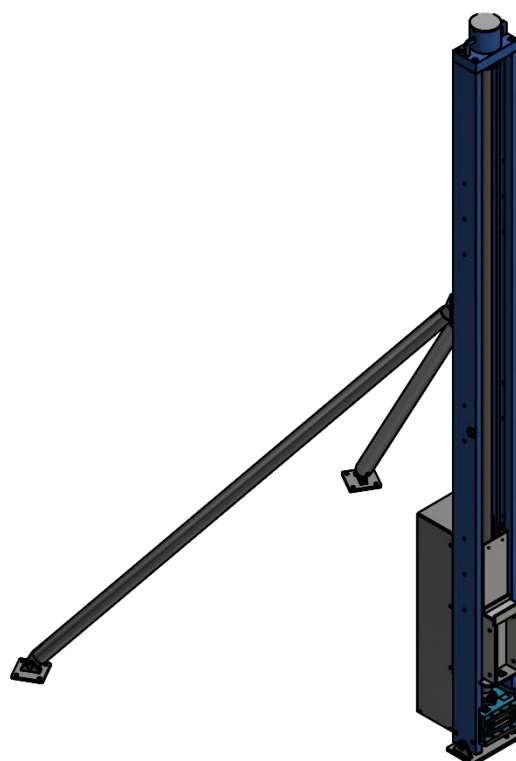
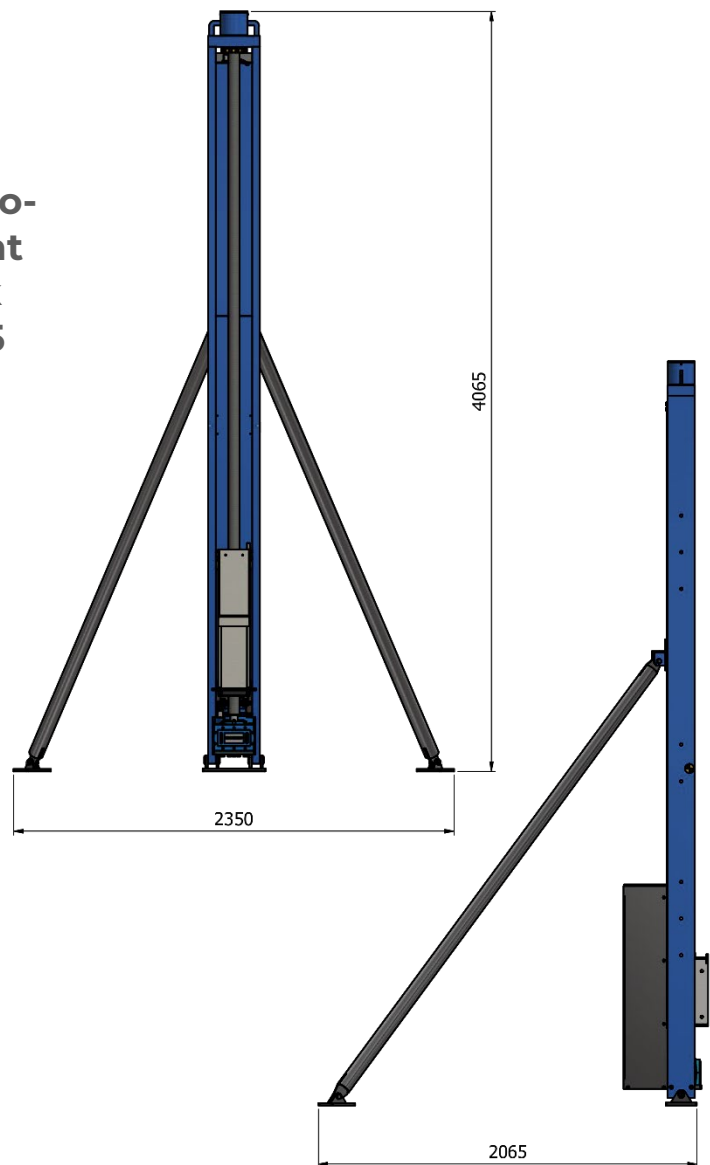


n°rdweld® Lift Jack 15T

Lift Jacks are used to erect tanks of larger diameter when building in a top-down method. Our electro-mechanical jacks have a lift height of 2600 mm. The supplied lift jack is CE marked and tested with 23.5 ton, 50% dynamic load (+50%).

The unique characteristics of our Lift Jacks:

- Lifting capacity of 15 000 kg
- Electrically Operated - very easy to maneuver onsite, both simultaneously and individually
- Uses a smooth continuously operated lift mechanism
- No oil spills or leakage possible when compared to Hydraulic systems
- Self-locking, which ensures the highest operator safety conditions
- Faster Operating Times – Approx. 25minutes to raise or lower 2600 mm
- Separate 220 V power outlets on each liftjack available
- Comes supplied with a top mounted perimeter lighting system (optional)
- Easy and quick assembly of the entire system with minimal operator effort
- Easy to dismantle onsite. Comes supplied with a specially designed device which enables quick disassembly of the jacks after job completion.
- Lifting brackets can be welded to the shell, alt. build with a wheel trolley attached upon the lift jack (specially designed for tanks build from coil).



n°rdweld® Lift Jack 15T

Technical Specification

Power	400 V 63Amp 3 - phase, 50/60 Hz, five - wire system with RCD
Main central Operating panel	63 Amp, Ritning EB11501 16 Amp, Ritning EB12256
Motor	Siemens 90S4 B5 1,1 kW 230/400V IE3
Gear	Motovario (see separate document)
Transmission oil	Synthetic oil AGIP Blasia S220 (25°C till +50°C) (77°F till +122°F)
Max. lift height (plate width + 100mm [0.32 ft])	2 600 mm (8.53 ft)
Lift speed	100 mm/min (0.32 ft/min)
Max. dynamic load	(Incl. external loads)
High - frequency load	5 000 kg (11 023 lbs)
Low frequency load	10 000 kg (22 046 lbs)
Isolated loads	15 000 kg (33 069 lbs)
Test lift/tested	25 000 kg (55 115 lbs)
Wheel rollers of the/in carriage	Designed for 10 000 operating hours or 10 000 m (5 000 lifts)
Total height	4 065 mm (13.33 ft)
Width	275 mm (0.90 ft)
Depth	460 mm (1.50 ft)
Weight	620 kg (1 366 lbs)
Support legs weight	2 x 35 kg (2 x 77 lbs)
Operating temperature	-20°C till +50°C (-68°F till +122°F)
Identification plate	Nordweld
Manufacturing number	1001 ->

Nordweld Sp. z o.o. registered in: XII Commercial Division of the National Court Register District Court for Krakow - Śródmieście in Krakow; share capital in the amount of PLN 10 000,00 PLN.

Nordweld Tank Building System AB
Box 52
891 22 Örnköldsvik
Sweden

Nordweld Production Plant
ul. Przemysłowa 3
38-300 Gorlice
Poland

+46 738 183 444
+48 600 151 551
info@nordweld.eu
nordweld.eu

Company registration No: 559082-3539
TAX ID No: SE-559082353901
PL-7382153047
IBAN No: PL38 1090 2590 0000 0001 4722 2227
BIC Swift: WBKPPLPP
REGON: 368373807
KRS: 0000696764

Member of **TLC** Group
+ 48 505 140 140
info@tlc.eu
tlc.eu

