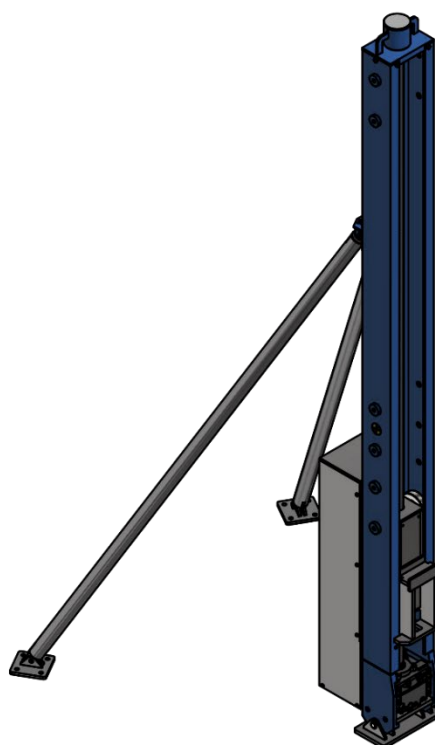
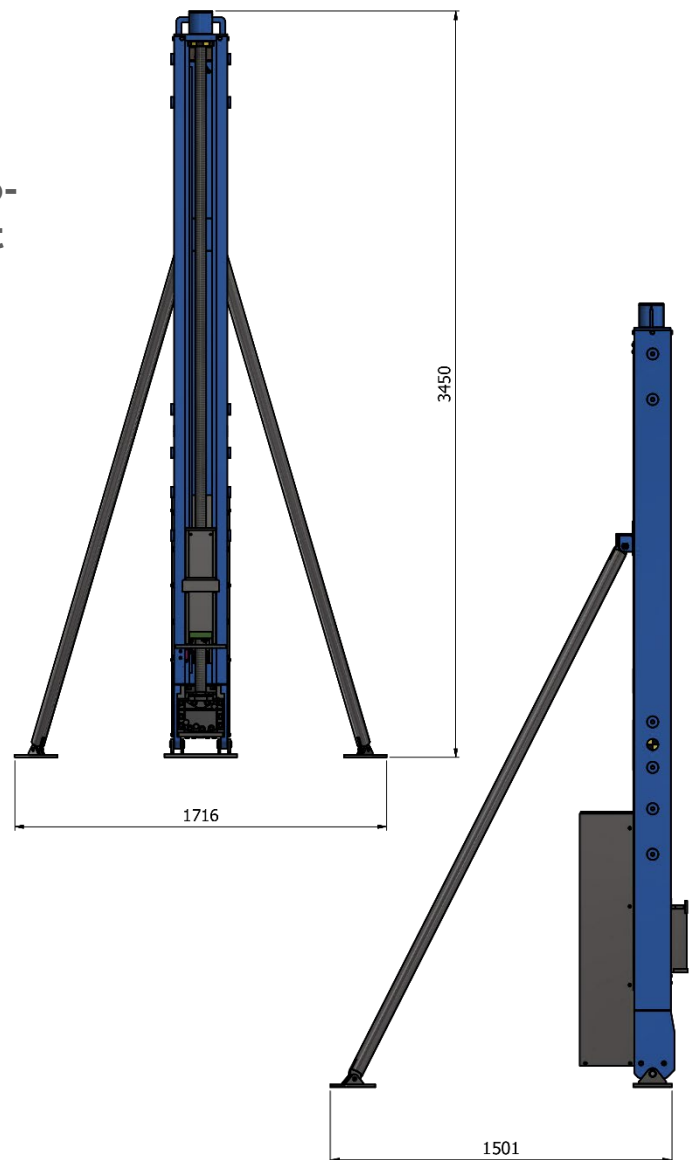


## n°rdweld® Lift Jack 9T

Lift Jacks are used to erect tanks of larger diameter when building in a top-down method. Our electro-mechanical jacks have a lift height of 2100 mm. The supplied lift jack is CE marked and tested with 13.5 ton, 50% dynamic load (+50%).

### The unique characteristics of our Lift Jacks:

- Lifting capacity of 9 000 kg
- Electrically Operated - very easy to maneuver onsite, both simultaneously and individually
- Uses a smooth continuously operated lift mechanism
- No oil spills or leakage possible when compared to Hydraulic systems
- Self-locking, which ensures the highest operator safety conditions
- Faster Operating Times – Approx. 16 minutes to raise or lower 2100 mm
- Separate 220 V power outlets on each liftjack available
- Comes supplied with a top mounted perimeter lighting system (optional)
- Easy and quick assembly of the entire system with minimal operator effort
- Easy to dismantle onsite. Comes supplied with a specially designed device which enables quick disassembly of the jacks after job completion.
- Lifting brackets can be welded to the shell, alt. build with a wheel trolley attached upon the lift jack (specially designed for tanks build from coil).



# n<sup>o</sup>rdweld® Lift Jack 9T

## Technical Specification

<b>Power</b>	400 V 63Amp 3 - phase, 50/60 Hz, five - wire system with RCD
<b>Main central Operating panel</b>	63Amp, Ritning EB11501 16Amp, Ritning EB12256
<b>Motor</b>	Lenze MH 090-12 1,1 kW 230/400 V IE2
<b>Gear</b>	Lenze g500-S950 (see separate document)
<b>Transmission oil</b>	CLP HC 320 (-20°C till +50°C), Synthetic oil (-68°F till +122°F)
<b>Max. lift height (plate width + 100 mm [0.32 ft])</b>	2 100 mm (6.88 ft)
<b>Lift speed</b>	128 mm/min (0.41 ft/min)
<b>Max. dynamic load</b>	9 000 kg (19 841 lbs)
<b>High - frequency load</b>	3 000 kg (6 613 lbs)
<b>Low frequency load</b>	6 000 kg (13 227 lbs)
<b>Isolated loads</b>	9 000 kg (19 841 lbs)
<b>Test lift/tested</b>	13 500 kg (29 762 lbs)
<b>Wheel rollers of the/in carriage</b>	Designed for 10 000 operating hours or 10 000 m (5 000 lifts)
<b>Total height</b>	3 450 mm (11.31 ft)
<b>Width</b>	275 mm (0.90 ft)
<b>Depth</b>	470 mm (1.54 ft)
<b>Weight</b>	325 kg (716 lbs)
<b>Support legs weight</b>	2 x 20 kg (2 x 44 lbs)
<b>Operating temperature</b>	-20°C till +50°C (-68°F till +122°F)
<b>Identification plate</b>	Nordweld
<b>Manufacturing number</b>	13001 ->

Nordweld Sp. z o.o. registered in: XII Commercial Division of the National Court Register District Court for Krakow - Śródmieście in Krakow; share capital in the amount of PLN 10 000,00 PLN.

Nordweld Tank Building System AB  
Box 52  
891 22 Örnköldsvik  
Sweden

Nordweld Production Plant  
ul. Przemysłowa 3  
38-300 Gorlice  
Poland

+46 738 183 444  
+48 600 151 551  
info@nordweld.eu  
nordweld.eu

Company registration No: 559082-3539  
TAX ID No: SE-559082353901  
PL-7382153047  
IBAN No: PL38 1090 2590 0000 0001 4722 2227  
BIC Swift: WBKPPLPP  
REGON: 368373807  
KRS: 0000696764

Member of **TLC** Group  
+ 48 505 140 140  
info@tlc.eu  
tlc.eu

