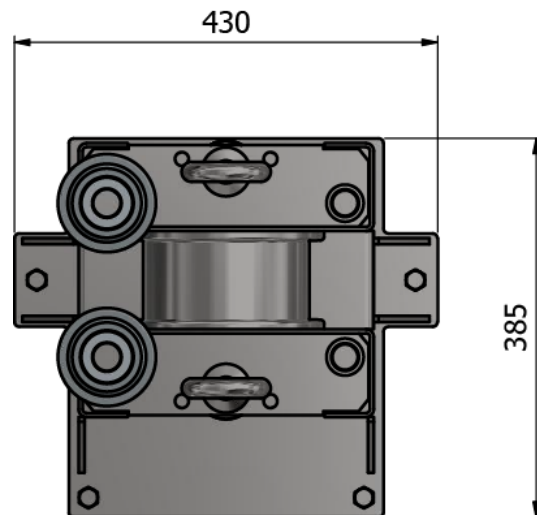
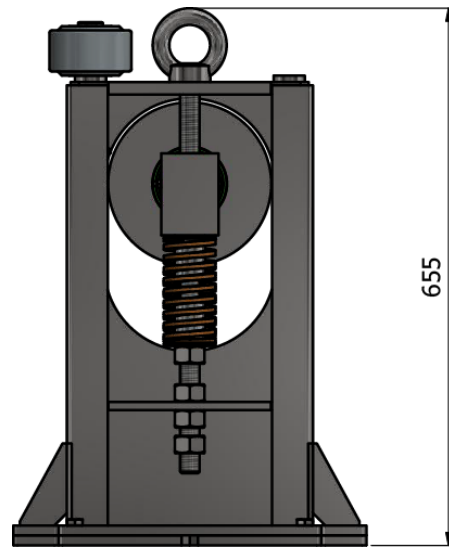
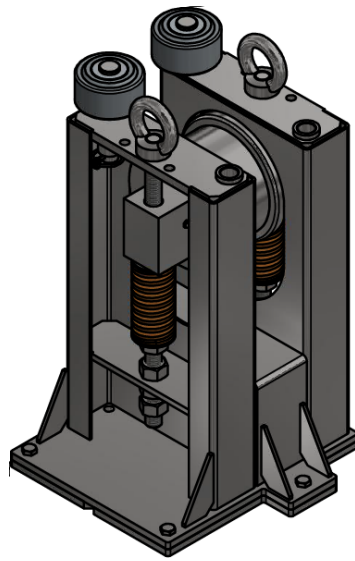


n°rdweld. Roller bed

The roller bed supports the tank during erection, and allows the tank to be rotated. Scaffolding brackets can also be attached to any interior or exterior working platforms. Maximum load: 5,5 tons.

Technical Specification

Height	655 mm (2.14 ft)
Width	430 mm (1.41 ft)
Length	385 mm (1.26 ft)
Weight	87 kg (191.80 lbs)
Max load	5500 kg (12125.40 lbs) / Roller bed



Nordweld Sp. z o.o. registered in: XII Commercial Division of the National Court Register District Court for Krakow - Śródmieście in Krakow; share capital in the amount of PLN 10 000,00 PLN.

Nordweld Tank Building System AB
Box 52
891 22 Örnsköldsvik
Sweden

Nordweld Production Plant
ul. Przemysłowa 3
38-300 Gorlice
Poland

+46 738 183 444
+48 600 151 551
info@nordweld.eu
nordweld.eu

Company registration No: 559082-3539
TAX ID No: SE-559082353901
PL-7382153047
IBAN No: PL38 1090 2590 0000 0001 4722 2227
BIC Swift: WBKPPLPP
REGON: 368373807
KRS: 0000696764

Member of **TLC** Group
+ 48 505 140 140
info@tlc.eu
tlc.eu