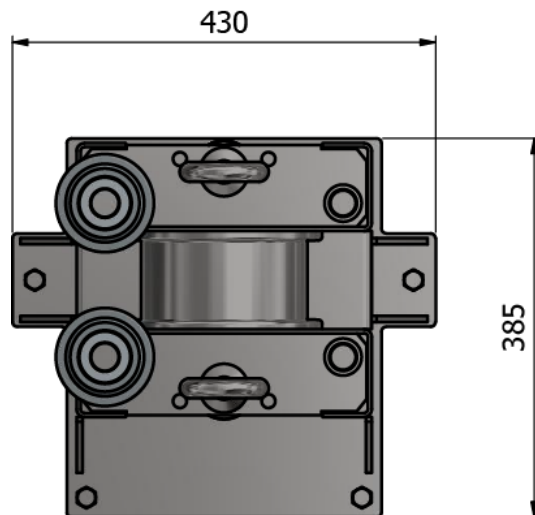
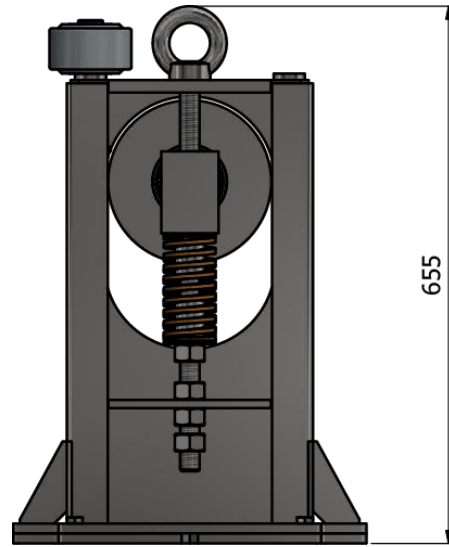
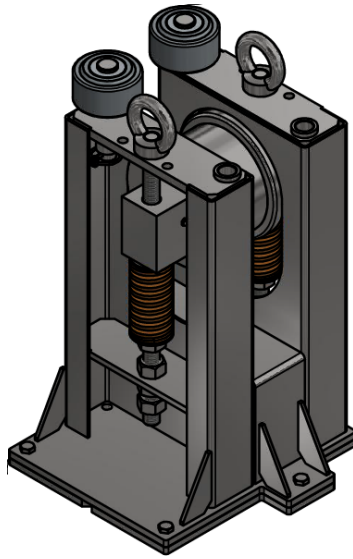


## nordweld® Roller bed Heavy Duty

The roller bed supports the tank during erection, and allows the tank to be rotated. Scaffolding brackets can also be attached to any interior or exterior working platforms. Maximum load: 5,5 tons.

### Technical Specification

<b>Height</b>	655 mm (2.14 ft)
<b>Width</b>	430 mm (1.41 ft)
<b>Length</b>	385 mm (1.26 ft)
<b>Weight</b>	87 kg (191.80 lbs)
<b>Max load</b>	5500 kg (12125.40 lbs) / Roller bed



Nordweld Sp. z o.o. registered in: XII Commercial Division of the National Court Register District Court for Krakow - Śródmieście in Krakow; share capital in the amount of PLN 10 000,00 PLN.

Nordweld Tank Building System AB  
Box 52  
891 22 Örnsköldsvik  
Sweden

Nordweld Production Plant  
ul. Przemysłowa 3  
38-300 Gorlice  
Poland

+46 738 183 444  
+48 600 151 551  
info@nordweld.eu  
nordweld.eu

Company registration No: 559082-3539  
TAX ID No: SE-559082353901  
PL-7382153047  
IBAN No: PL38 1090 2590 0000 0001 4722 2227  
BIC Swift: WBKPPLPP  
REGON: 368373807  
KRS: 0000696764

Member of **TLC** Group  
+ 48 505 140 140  
info@tlc.eu  
tlc.eu