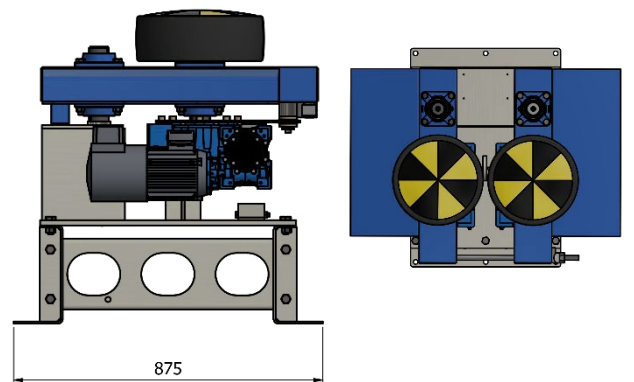
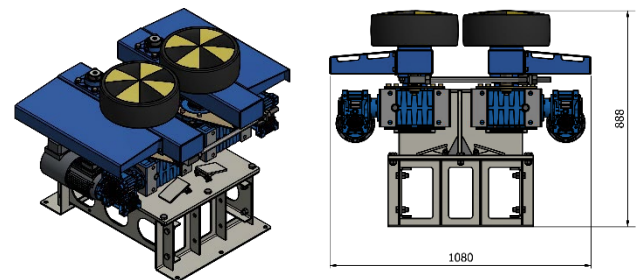
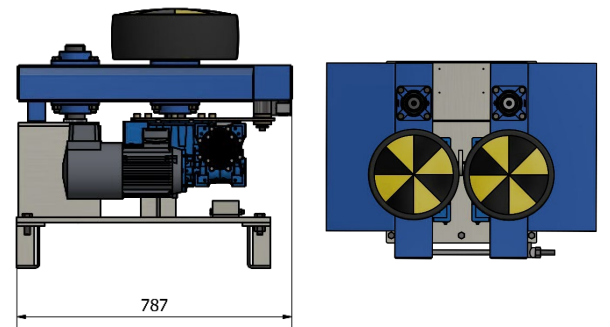
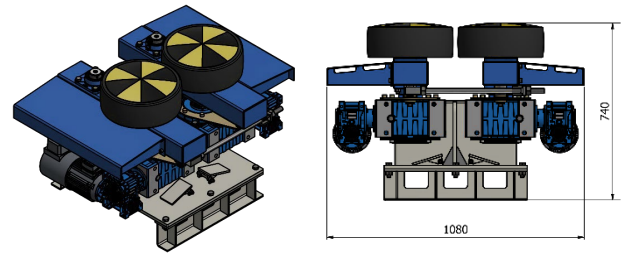


nordweld Tank rotator

Our specially designed continuous Tank Rotator system, unique within the tank building industry, ensures fast and efficient building process. The rotator operates directly from the main base platform in a continuous motion allowing the following construction duties to be carried out safely:

- during feeding of the material;
max. speed 1600 mm/min
(63 in/min)
- during welding of the circumferential seam joints;
speed 130 – 1600 mm/min
(5 - 1/8 in – 63 in/min)



Technical Specification

Power	400 V 32Amp 3 _ phase, 50/60 Hz, five-wire system hardwired in EB12428 without RCD	
Speed control central	15 kW, EB12428	
Remote control	KTP400F Mobil	
Speed	135 - 1 600 mm/min (0.44 - 5.24 ft/min)	
Twin - worm Gear	Motovario (see separate document)	
Tranmission oil	Synthetic oil ENI Telium VSF320 (-25°C till +500°C) (-13°F till +932°F)	
Motor	Siemens 1LE180M4 0,55kW 400V/IEC 80 B-4	
Pulse encoder (1pc/set of tank rotator equipment)	HTL, 1024 pulses, 1XP8032-10	
Possibility of working at two different foot heights		
Height	740 mm (2.42 ft)	888 mm (2.91 ft)
Width	1 080 mm (3.54 ft)	1 080 mm (3.54 ft)
Length	787 mm (2.58 ft)	875 mm (2.87 ft)
Weight	385 kg (848.77 lbs)	
Identification plate	Nordweld	
Serial number	2001 ->	

Nordweld Sp. z o.o. registered in: XII Commercial Division of the National Court Register District Court for Krakow - Śródmieście in Krakow; share capital in the amount of PLN 10 000,00 PLN.

Nordweld Tank Building System AB
Box 52
891 22 Örnsköldsvik
Sweden

Nordweld Production Plant
ul. Przemysłowa 3
38-300 Gorlice
Poland

+46 738 183 444
+48 600 151 551
info@nordweld.eu
nordweld.eu

Company registration No: 559082-3539
TAX ID No: SE-559082353901
PL-7382153047
IBAN No: PL38 1090 2590 0000 0001 4722 2227
BIC Swift: WBKPPLPP
REGON: 368373807
KRS: 0000696764

Member of **TLC** Group
+ 48 505 140 140
info@tlc.eu
tlc.eu