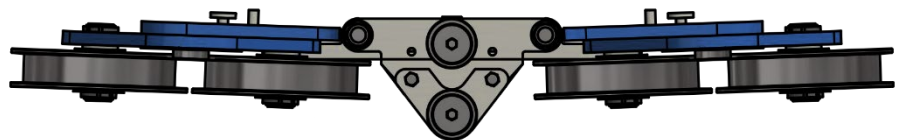
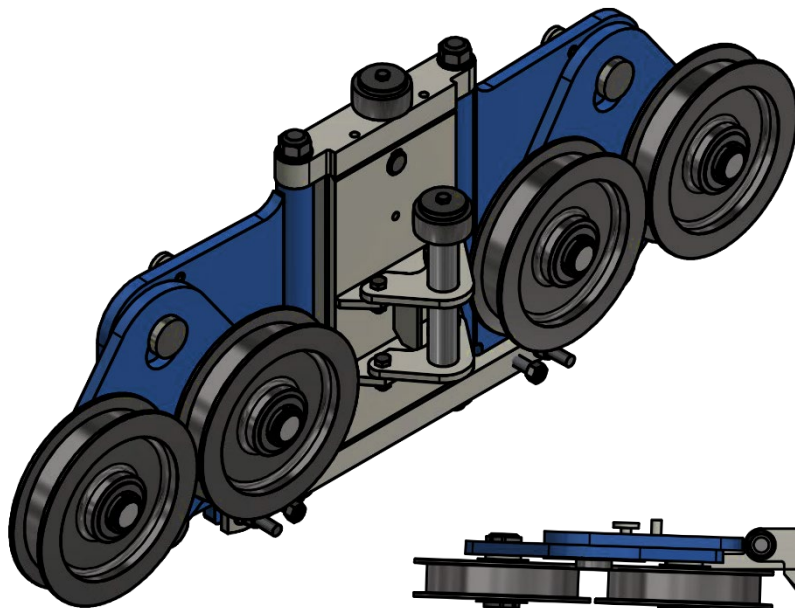
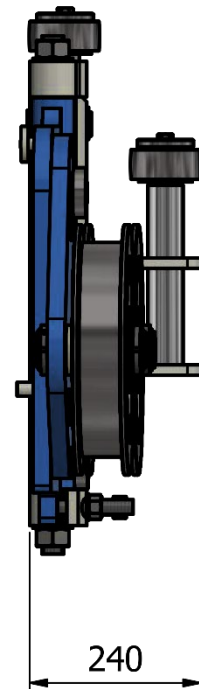
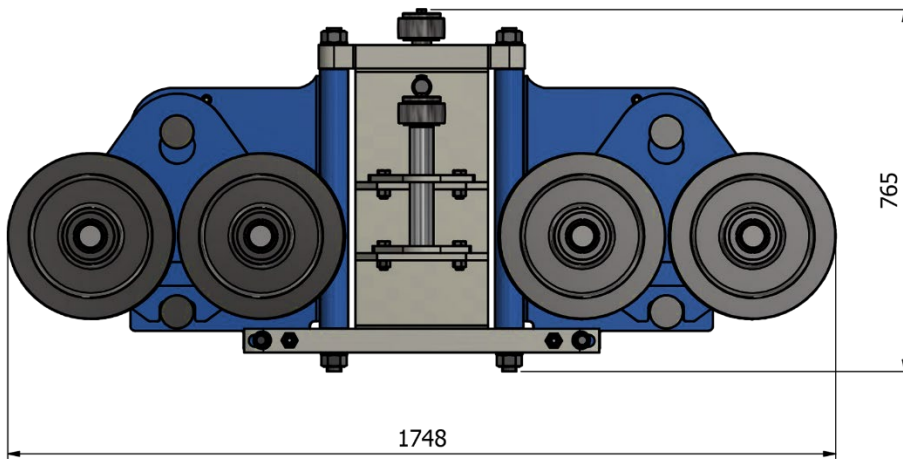


nordweld® Wheel Trolley

Lift Jacks equipped with a Wheel Trolley, perfect for larger stainless-steel tanks. Build tanks directly from coil or longer flat sheets. Option – for flat long (up to 12m) sheets, use our plate track together with the vertical bending machine.

Technical Specification

Height	765 mm (2 ft)
Width	240 mm (9.44 in)
Length	1748 mm (5 ft)
Weight	365 kg (804 lbs)
Max load	LJ 15T: 12.5 tones (27557 lbs) LJ 9T: 7 tones (15432 lbs)



Nordweld Sp. z o.o. registered in: XII Commercial Division of the National Court Register District Court for Krakow - Śródmieście in Krakow; share capital in the amount of PLN 10 000,00 PLN.

Nordweld Tank Building System AB
Box 52
891 22 Örnsköldsvik
Sweden

Nordweld Production Plant
ul. Przemysłowa 3
38-300 Gorlice
Poland

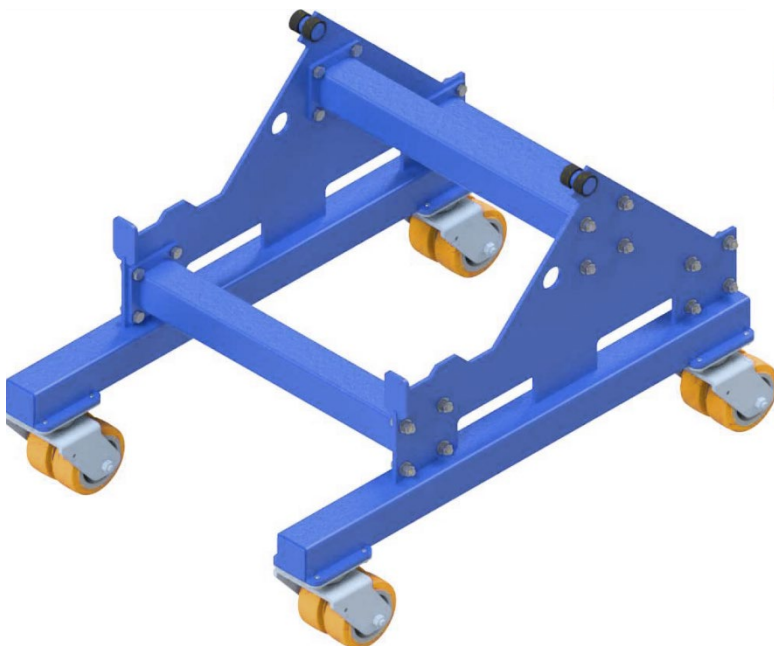
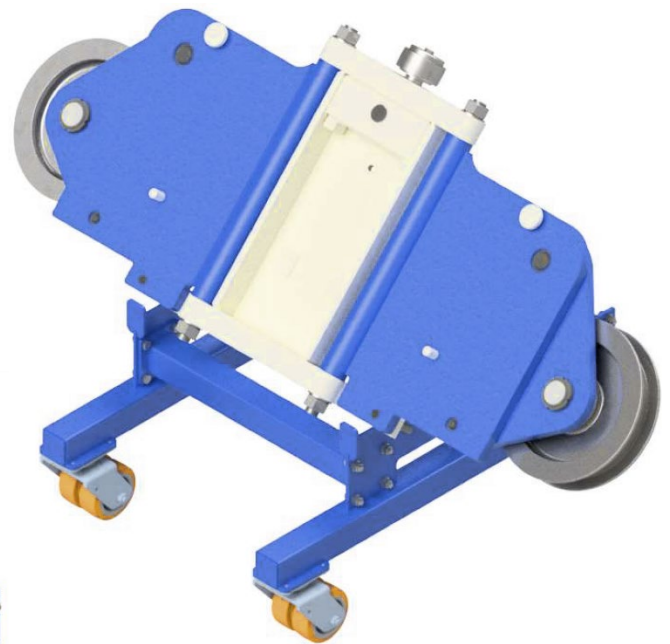
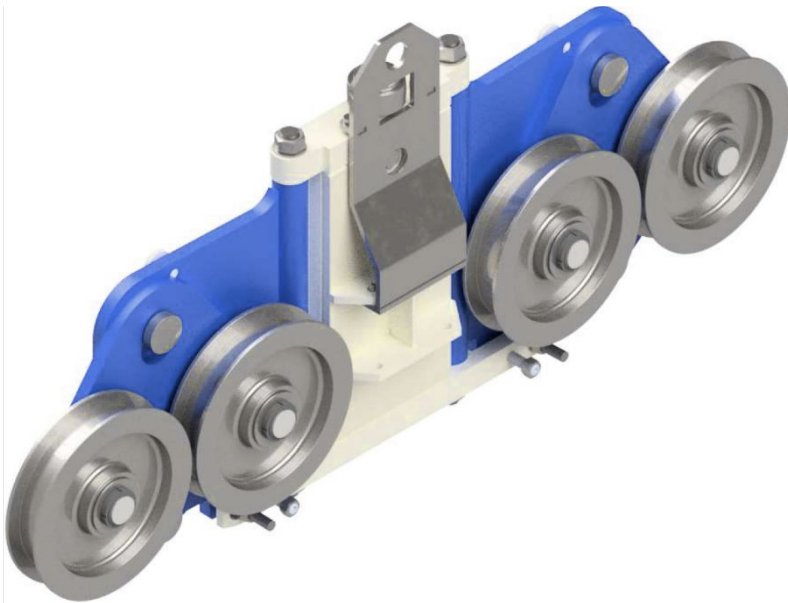
+46 738 183 444
+48 600 151 551
info@nordweld.eu
nordweld.eu

Company registration No: 559082-3539
TAX ID No: SE-559082353901
PL-7382153047
IBAN No: PL38 1090 2590 0000 0001 4722 2227
BIC Swift: WBKPPLPP
REGON: 368373807
KRS: 0000696764

Member of **TLC** Group
+ 48 505 140 140
info@tlc.eu
tlc.eu

Technical Data Summary

Trolley is used for easy manipulation, which helps to transport the equipment. Handle allows easy portability with telescopic handler.



Nordweld Sp. z o.o. registered in: XII Commercial Division of the National Court Register District Court for Krakow - Śródmieście in Krakow; share capital in the amount of PLN 10 000,00 PLN.

Nordweld Tank Building System AB
Box 52
891 22 Örnsköldsvik
Sweden

Nordweld Production Plant
ul. Przemysłowa 3
38-300 Gorlice
Poland

+46 738 183 444
+48 600 151 551
info@nordweld.eu
nordweld.eu

Company registration No: 559082-3539
TAX ID No: SE-559082353901
PL-7382153047
IBAN No: PL38 1090 2590 0000 0001 4722 2227
BIC Swift: WBKPPLPP
REGON: 368373807
KRS: 0000696764

Member of **TLC** Group
+ 48 505 140 140
info@tlc.eu
tlc.eu